

## Infrastructure landscape

**Question:** How can an infrastructure landscape be modeled in ArchiMate? Enterprise architecture is used to register the essentials of architecture domains and visualize the relationships between those domains; on infrastructure level implementation specific details are often important. Which aspects should and which should not be modeled in an infrastructure landscape in ArchiMate?

**Solution:** When modeling an infrastructure landscape it is essential to maintain distance (or objectivity) from the stakeholder and their corresponding concerns. In most enterprise architecture initiatives the goal of modeling an infrastructure landscape is to visualize the most important elements (hardware and software) of the infrastructure, how these are connected to networks and what their geographical location is (such as main office and regional offices).

Limit an ArchiMate infrastructure landscape to the most important physical systems and networks and specific essential supporting software like operating systems, database management systems and middleware.

Use the Infrastructure viewpoint from the ArchiMate book (Lankhorst et al., 2005, p. 186). This viewpoint gives the possibility to show which essential hardware and software determine the infrastructure landscape and how this is connected via networks. It is recommended to group infrastructure elements in this viewpoint based on geographical location and make these groups explicit.

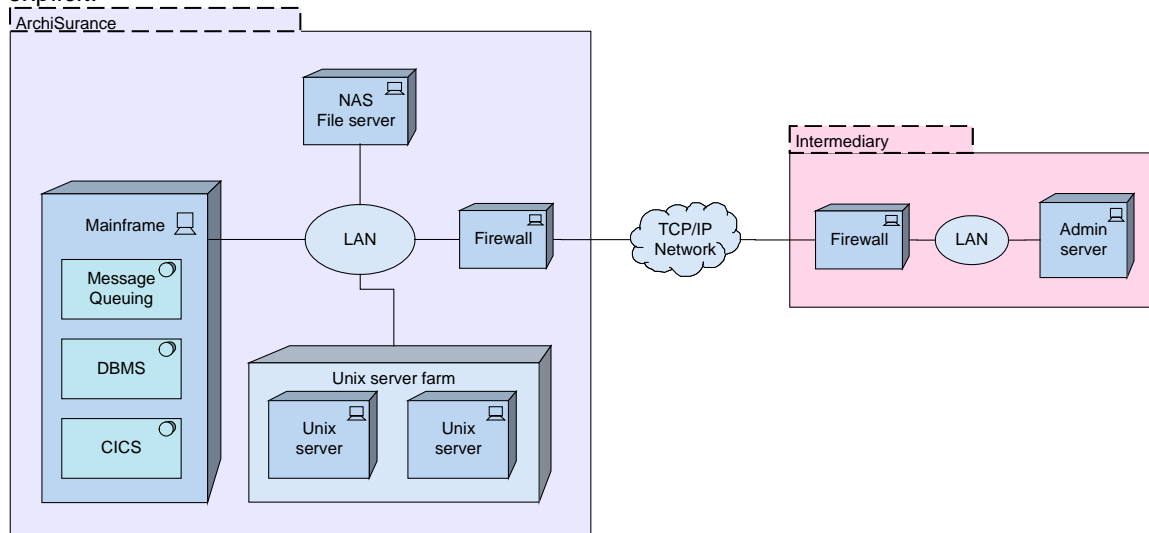


Figure: Example of an infrastructure landscape

**Consequences:** Not applicable.

**Alternatives:** Not applicable.

**Relationships with other good practices:** Not applicable.